

PRIMO CORNER
SAUNA



INSTALLATION MANUAL

INSTRUCTIONS

- It is recommended to install the sauna above ground level to prevent the base frame of the sauna from coming into direct contact with the ground. Install a water-resistant material, such as bitumen strips, between the base frame and the base surface.
- Make sure that the surface on which you install the sauna is level and stable before and after installing the sauna. Otherwise, the doors of the sauna may not open and close properly later on.
- During the first heating of the sauna, it must be constantly supervised, and the doors should be kept open, as the stove emits a specific odor when first heated. Read more from the user manual for the sauna stove.
- In order to avoid damage caused by the weight of snow in winter, any snow should be removed from the roof of the sauna. Keep in mind that the roof covering should not be damaged during snow removal.
- If your sauna has lighting, install a 3G 2,5 mm outdoor power cable and connect it in accordance with the schematics on the plug socket coupler provided with the sauna. The power cable of the sauna must be connected to a residual-current circuit breaker! Consult an electrician if necessary.

REQUIRED TOOLS



Tape measure



Silicone gun



Tin shears



Level



Cutting knife



Pliers



Rubber mallet



Hammer



Scissors



Hand saw



Broom



Protective gloves



Battery drill



Circular saw



Safety goggles



Nail gun

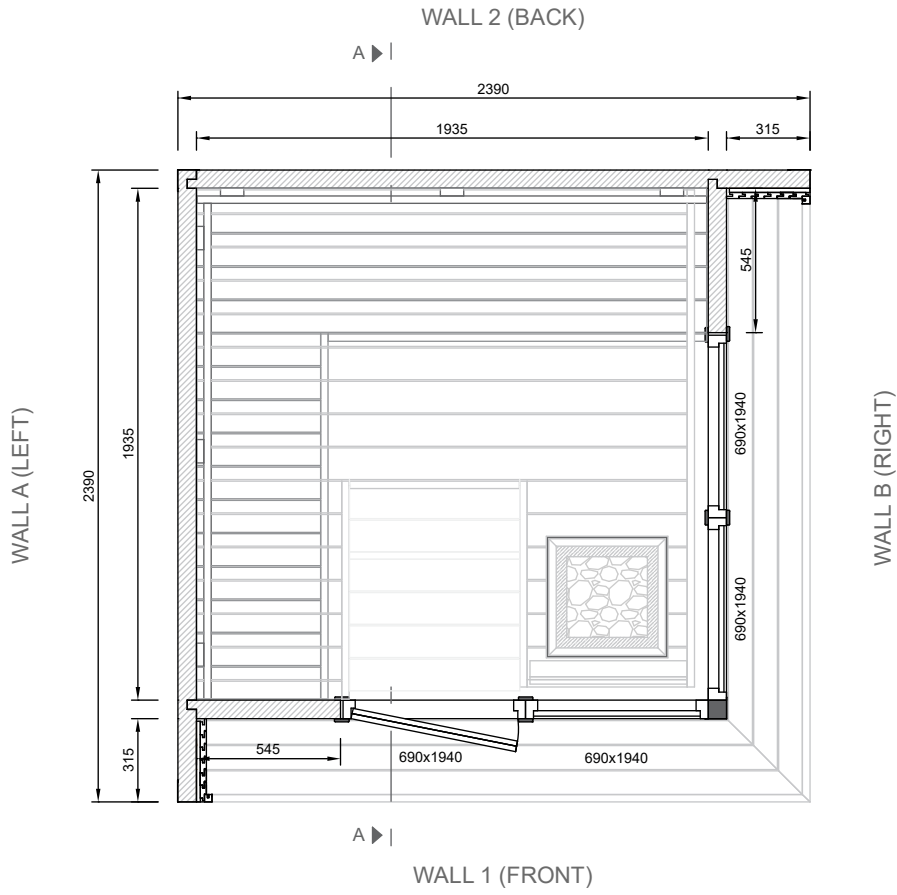


Hole saw

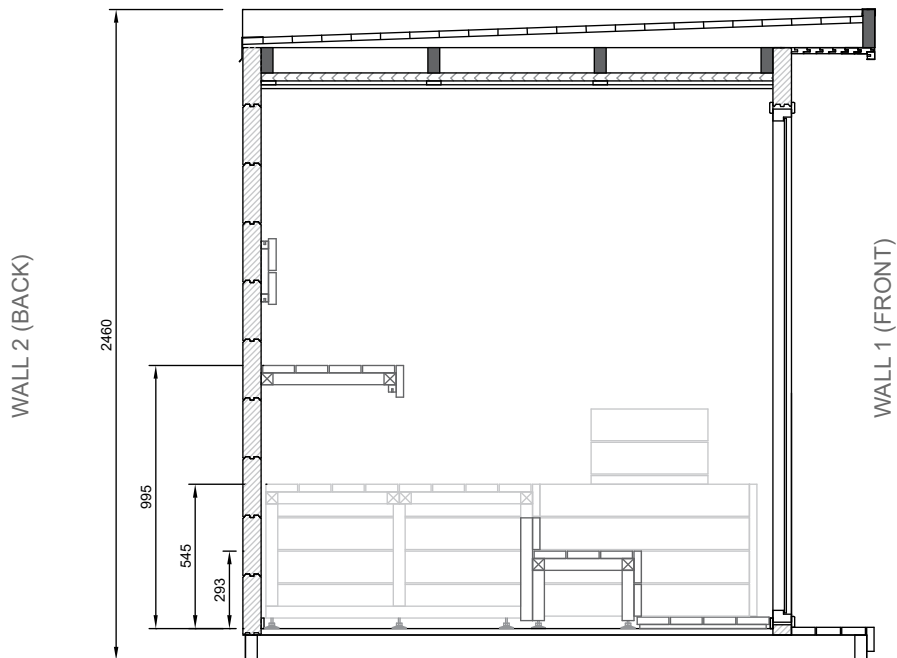


Respirator

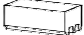
FLOOR PLAN



CROSS SECTION A-A



DETAIL LIST: WALLS

DETAIL	NOTE	LENGTH	QUANTITY
70X222 WALL LOG THERMO	WALL 1 (FRONT)	2040 MM	1
70X230 WALL LOG THERMO	WALL 1 (FRONT)	1970 MM	1
70X230 WALL LOG THERMO	WALL 1 (FRONT)	580 MM	8
70X222 WALL LOG THERMO	WALL 2 (BACK)	2355 MM	1
70X230 WALL LOG THERMO	WALL 2 (BACK)	2355 MM	9
70X222 WALL LOG THERMO	WALL A (LEFT)	2390 MM	1
70X230 WALL LOG THERMO	WALL A (LEFT)	2390 MM	9
70X230 WALL LOG THERMO	EXTRA (SPARE DETAIL)	2390 MM	2
70X222 WALL LOG THERMO	WALL B (RIGHT)	2065MM	1
70X230 WALL LOG THERMO	WALL B (RIGHT)	1970 MM	1
70X230 WALL LOG THERMO	WALL B (RIGHT)	580 MM	8
70X70 CORNER POST	MARKING: P-1	1998 MM	1
HITTING BLOCK 70 MM			2

DETAIL LIST: BASE FRAME

MARKING	DETAIL	NOTE	LENGTH	QUANTITY
AR-1	45X95 BASE FRAME		2357 MM	2
AR-2	45X95 BASE FRAME		2267 MM	2
AR-3	45X95 BASE FRAME		2065 MM	1
AR-4	45X95 BASE FRAME		2020 MM	2
AR-5	45X95 BASE FRAME		1975 MM	6
AR-6	45X95 BASE FRAME	<i>BOTH ENDS CUT AT 45°</i>	331 MM	2
AR-7	45X95 BASE FRAME		202 MM	8

DETAIL LIST: ROOF FRAME

MARKING	DETAIL	NOTE	LENGTH	QUANTITY
KR-1	45X145 ROOF FRAME		2390 MM	1
KR-2	45X145 ROOF FRAME		2345 MM	2
KR-3	45X95 ROOF FRAME	<i>WEDGE SHAPED DETAIL</i>	2345 MM	5
KR-4	45X45 ROOF FRAME	<i>BOTH ENDS CUT AT 45°</i>	417 MM	1
KR-5	45X45 ROOF FRAME		295 MM	3
KR-6	28X90 ROOF FRAME		295 MM	1
T-1	45X95 CEILING BEAM		1933 MM	4

DETAIL LIST: ROOF, FLOOR AND PATIO BOARDS

MARKING	DETAIL	NOTE	LENGTH	QUANTITY
KL-1	24X120 ROOF BOARD		2298 MM	21+1
PL-1	24X120 FLOOR BOARD		1930 MM	18+2
TL-1	28X90 DECKING BOARD	<i>CUT TO LENGTH ON SITE</i>	~2400 MM	8+1

DETAIL LIST: LINING BOARDS

MARKING	DETAIL	NOTE	LENGTH	QUANTITY
UPS-0	23X70 OUTER LINING BOARD	<i>CUT TO LENGTH ON SITE</i>	~2400 MM	24+2
STS-4	15X140 CEILING LINING BOARD		1930 MM	15+2

DETAIL LIST: SLATS AND MOLDINGS

MARKING	DETAIL	NOTE	LENGTH	QUANTITY
DI-00	21X21 CEILING MOLDING	<i>CUT TO LENGTH ON SITE</i>	~2100 MM	4
DI-0	10X40 PLASTIC FLOOR MOLDING	<i>CUT TO LENGTH ON SITE</i>	~2100 MM	4
DI-1	15X55 SPACER	<i>FOR CEILING BOARDS</i>	1930 MM	4
DI-2	15X55 SPACER	<i>FOR OUTER LINING BOARDS</i>	305 MM	12
L-1	12X42 DOOR & WINDOW MOLDING		~2100 MM	12+1
LED	28X28 LED PROFILE		~2400 MM	4

DETAIL LIST: INSULATION & VENTILATION

MARKING	DETAIL	NOTE	LENGTH	QUANTITY
	SPU INSULATION PANEL	<i>CUT TO SIZE ON SITE</i>	600X1200 MM	6
	FOIL TAPE		10 M	2
	VENTILATION GRID Ø100 MM	<i>METAL</i>		5
	VENTILATION VALVE Ø100 MM	<i>WOOD</i>		1
	VENTILATION PIPE Ø100 MM	<i>WITH FASTENERS</i>	1300 MM	1

DETAIL LIST: DOORS AND WINDOWS

MARKING	DETAIL	NOTE	LENGTH	QUANTITY
U-1	GLASS DOOR 70X690X1940 MM	<i>METAL + WOOD HANDLE</i>		1
A-1	WINDOW 70X690X1940 MM			3
	WOODEN COVER CAPS	<i>FOR DOOR & WINDOW FRAMES</i>		24

DETAIL LIST: ROOF AND FLOOR COVERING

MARKING	DETAIL	NOTE	LENGTH	QUANTITY
	PVC FLOOR COVERING		2x2 M	1
	ADHESIVE FOR FLOOR COVERING			1
	EPDM RUBBER ROOF COVERING		2.5X3.05 M	1
	EPDM GLUE		2.5 L	1
	EPDM QUICKPRIME		125 ML	1
	PAINT ROLLER + HANDLE			1
	SPLICE TAPE		2.4 M	1

DETAIL LIST: SAUNA BENCHES

MARKING	DETAIL	NOTE	LENGTH	QUANTITY
	SAUNA BENCH NR. 1	TOP - WALL 2 (BACK)	1856 MM	1
	SAUNA BENCH NR. 2	TOP - WALL 2 (BACK)	1856 MM	1
	SAUNA BENCH NR. 3	BOTTOM - WALL B (RIGHT)	778 MM	1
	SAUNA BENCH NR. 4	BOTTOM - WALL A (LEFT)	824 MM	1
	SAUNA BENCH NR. 5	TOP - WALL 2 (BACK)	1929 MM	1
	SAUNA BENCH NR. 6	TOP - WALL A (RIGHT)	1380 MM	1
	FLOOR BENCH	FLOOR	632 MM	1
	FOOTREST	FLOOR	632 MM	1
	SIDE PANEL 1	WALL B (RIGHT)	1880 MM	1
	SIDE PANEL 2	WALL B (RIGHT)	605 MM	1
	FRONT PANEL 1	WALL A (LEFT)	824 MM	1
	FRONT PANEL 2	WALL B (RIGHT)	778 MM	1
	DECORATIVE PANELS FOR HEATER		386 MM	4
	VERTICAL SUPPORT SET 45X45	FOR BOTTOM BENCHES	432 MM	6
	HORIZONTAL SUPPORT SET 45X45	FOR TOP BENCHES		5

DETAIL LIST: ROOFING AND COVERING SHEETS

PROFILE	DETAIL	NOTE	LENGTH	QUANTITY
	METAL DRIP EDGE 80X80 MM	BACK WALL CUT TO LENGTH ON SITE	2500 MM	1
	PARAPET CAP FOR LED PROFILE 30X190X30 MM	FRONT AND RIGHT WALL CUT TO LENGTH ON SITE	2500 MM	2
	PARAPET CAP 30X190 MM	LEFT WALL CUT TO LENGTH ON SITE	2500 MM	1
	PARAPET CAP 25X50X25 MM	FRONT AND RIGHT WALL CUT TO LENGTH ON SITE	2500 MM	2
	CORNER COVER FOR LED PROFILE 85X130X30 MM	LEFT AND BACK WALL CUT TO LENGTH ON SITE	2500 MM	2
	CORNER COVER 85X85 MM	CORNER POST & BACK CORNER CUT TO LENGTH ON SITE	2500 MM	2

DETAIL LIST: ROOFING AND COVERING SHEETS

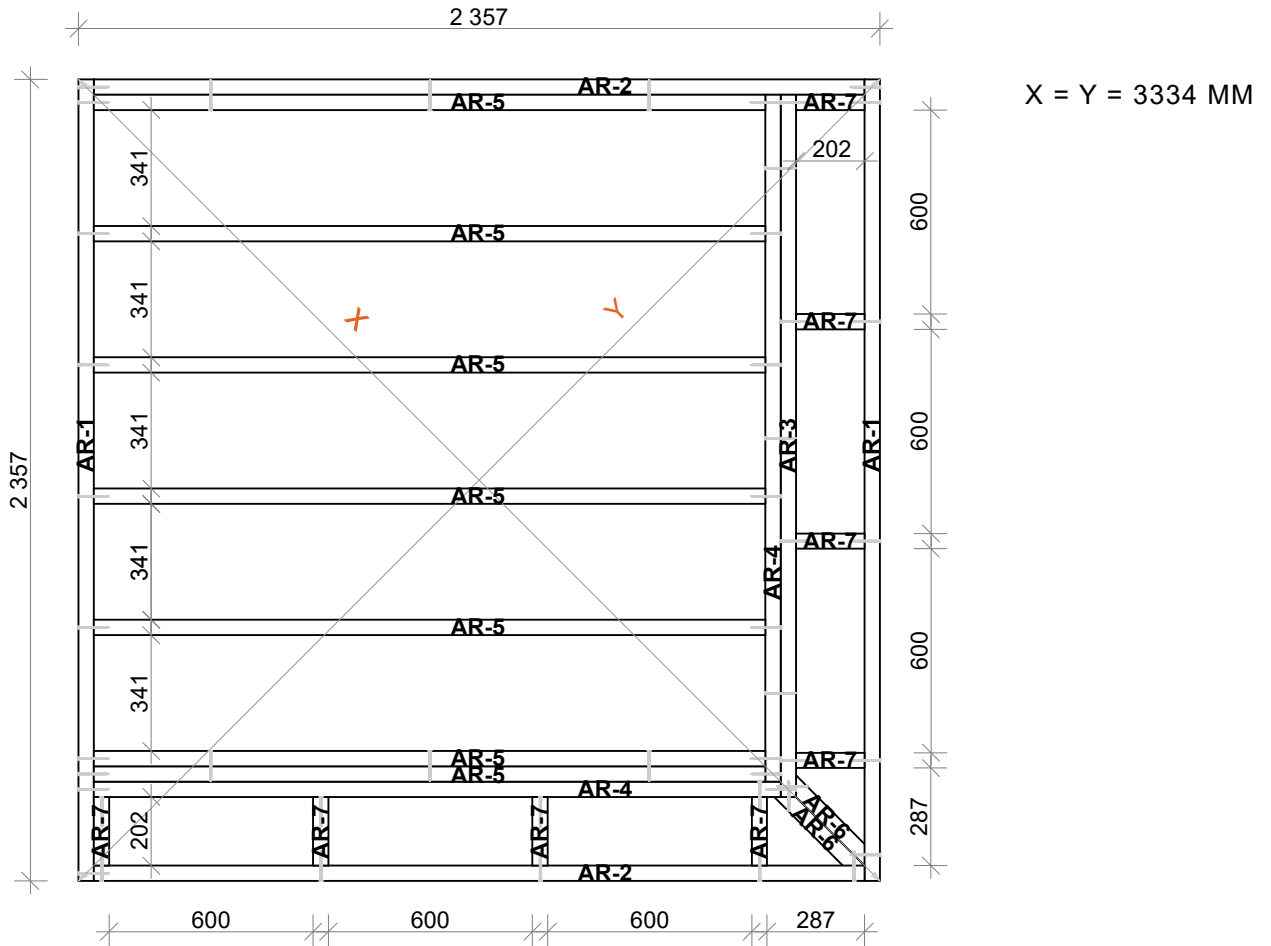
PROFILE	DETAIL	NOTE	LENGTH	QUANTITY
	METAL DRIP EDGE 80X80 MM	BACK WALL CUT TO LENGTH ON SITE	2500 MM	1
	PARAPET CAP FOR LED PROFILE 30X190X30 MM	FRONT AND RIGHT WALL CUT TO LENGTH ON SITE	2500 MM	2
	PARAPET CAP 30X190 MM	LEFT WALL CUT TO LENGTH ON SITE	2500 MM	1
	PARAPET CAP 25X50X25 MM	FRONT AND RIGHT WALL CUT TO LENGTH ON SITE	2500 MM	2
	CORNER COVER FOR LED PROFILE 85X130X30 MM	LEFT AND BACK WALL CUT TO LENGTH ON SITE	2500 MM	2
	CORNER COVER 85X85 MM	CORNER POST & BACK CORNER CUT TO LENGTH ON SITE	2500 MM	2

DETAIL LIST: FIXINGS AND FASTENERS

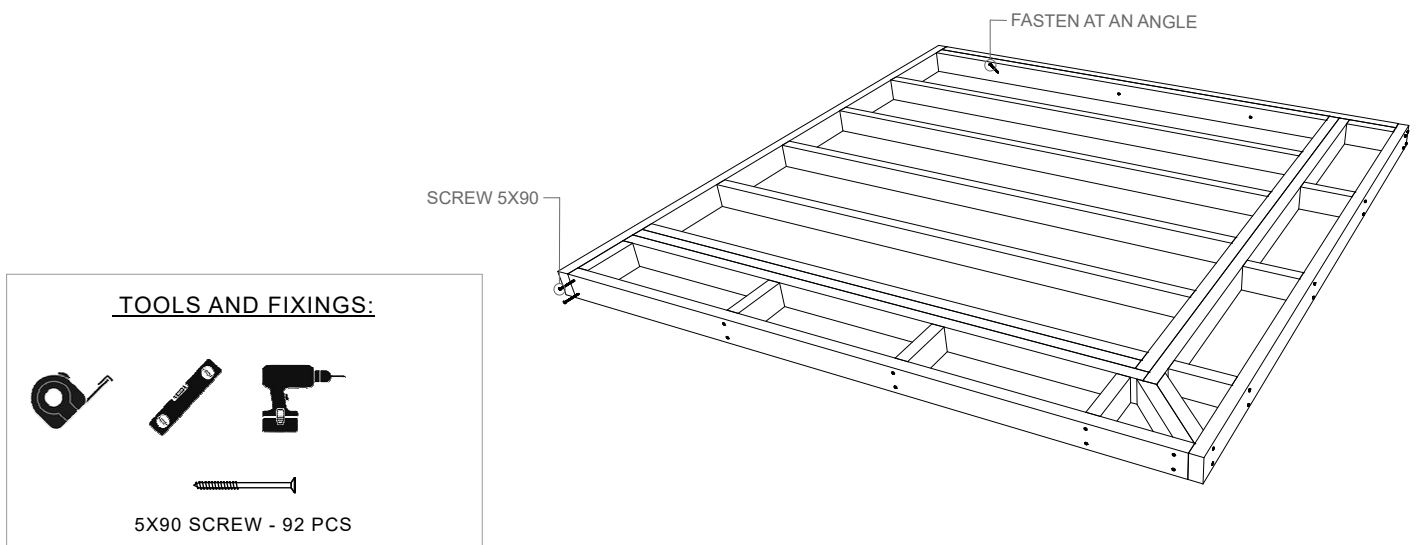
MARKING	DETAIL	NOTE	LENGTH	QUANTITY
	JOIST HANGER 45X97 MM	FOR CEILING BEAMS		4
	ANGLE BRACKET 90X90X65 MM	FOR CORNER POST		3
	DRAIN PIPE	FOR FLOOR DRAINAGE		1
	MOUNTING GLUE	FOR COVERING SHEETS		1
	POLYURETHANE FOAM	FOR DOORS AND WINDOWS		1
	SCREW 6X180 MM	FOR EVERY WALL LOG		68
	SCREW 5X90 MM	FOR BASE FRAME		92
	SCREW 5X40 MM	JOIST HANGER & BRACKET		56
	SCREW 4.5X80 MM	FOR CORNER POST		3
	SCREW 3.5X50 MM	FOR CORNER POST		3
	SCREW 3X40 MM	FOR CORNER POST		3
	WRONIC SCREW 4.2X25 MM	FOR 80X80 MM SHEET		15
	ROOFING SCREW 4.8X25 MM	FOR 25X50X25 MM SHEET		30

BASE FRAME: ASSEMBLY DRAWING

- Assembly the base frame using 5x90 screws according to the drawing. Make sure that the frame is level and the diagonals are equal ($X = Y$).



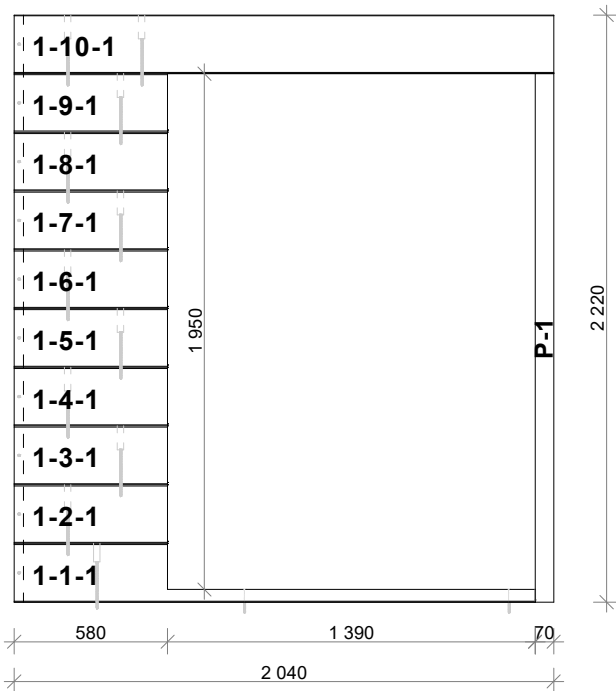
BASE FRAME: 3D VIEW



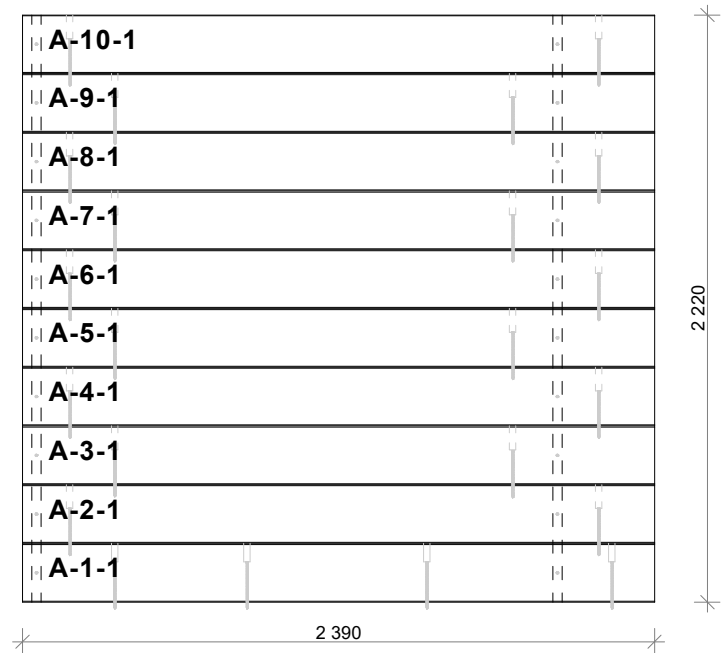
WALLS: ASSEMBLY DRAWING 1/2

- Place the first row of wall logs on top of the base frame. Make sure the left and back wall logs protrude 5 mm outwards from the base frame.
- Install the wall logs on top of each other according to the scheme. Use a hitting block and a rubber mallet to set the logs in place. Connect all the wall logs together at the corners and through the pre-drilled holes with 6x180 screws. Use a 100 mm screwdriver bit extension.

WALL 1 - FRONT
(View from the outside)

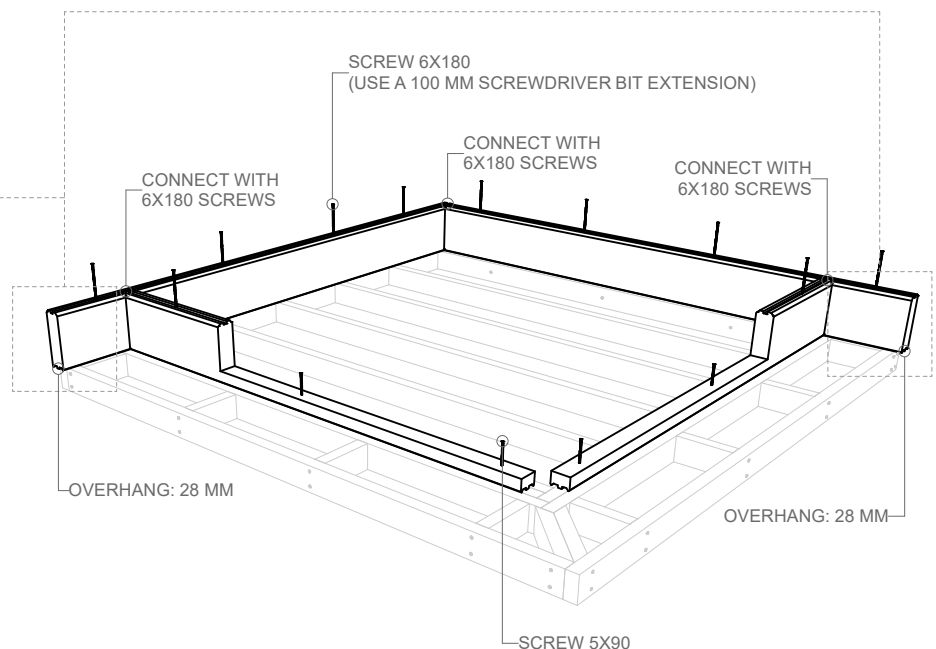
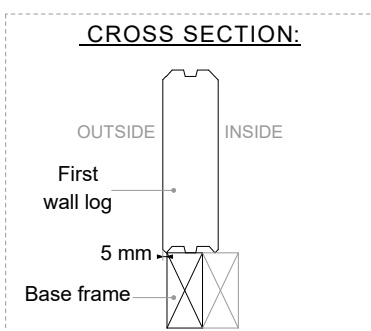


WALL A - LEFT
(View from the outside)

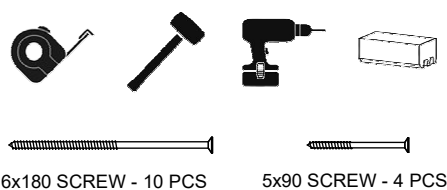


WALLS: 3D VIEW

CROSS SECTION:



TOOLS AND FIXINGS:

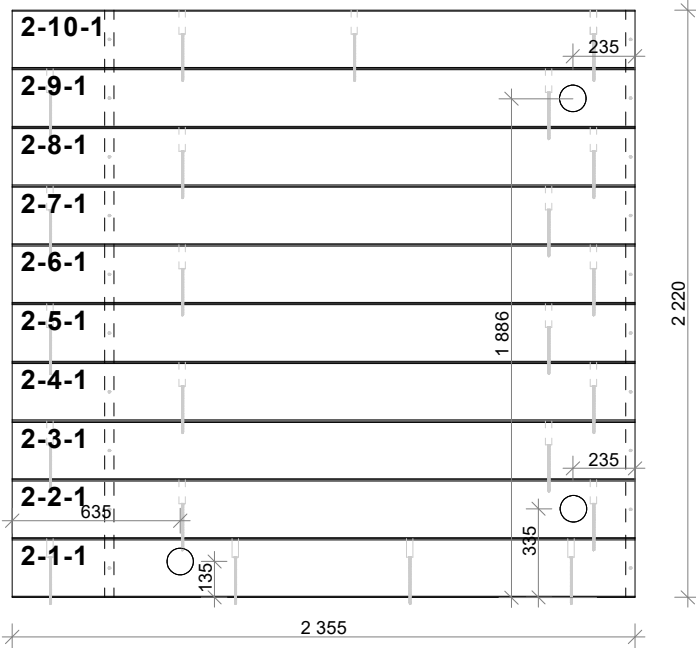


WALLS: ASSEMBLY DRAWING 2/2

- Continue to install the wall logs on top of each other according to the scheme using a hitting block and a rubber mallet. Connect all the wall logs together at the corners and through the pre-drilled holes with 6x180 screws. Use a 100 mm screwdriver bit extension.
- Connect the upper wall logs to each other from the inside and to the corner post, using 90x90x65 metal angle brackets and 5x40 screws.

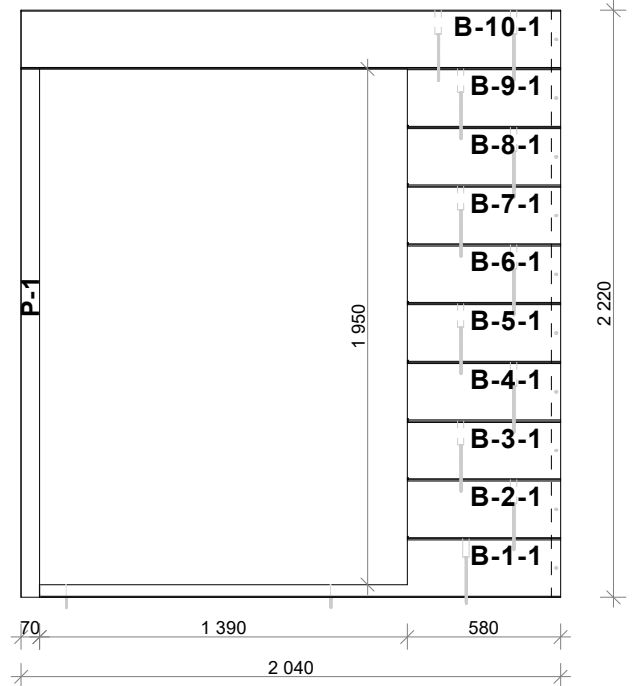
WALL 2 - BACK

(View from the outside)



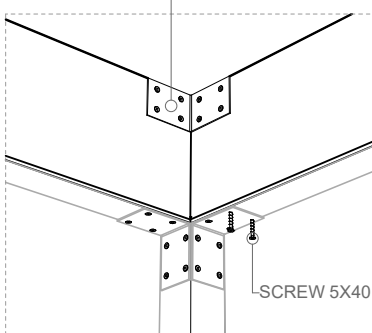
WALL B - RIGHT

(View from the outside)

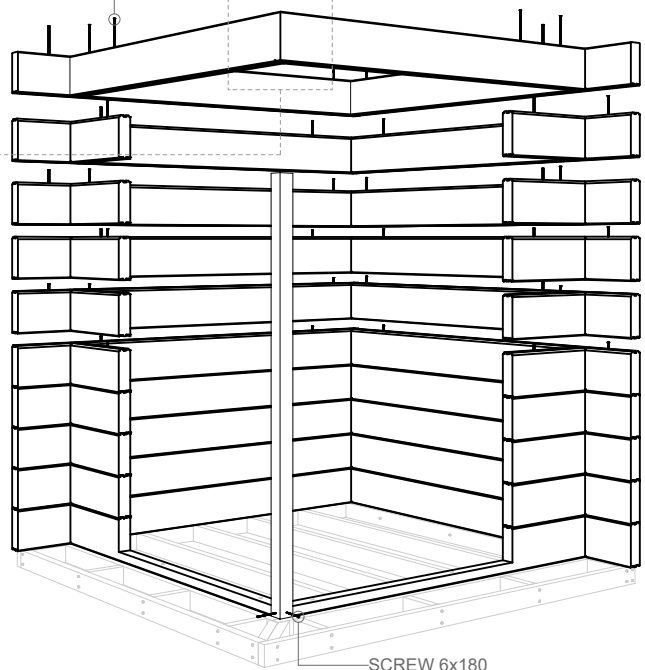


WALLS: 3D VIEW

ANGLE BRACKET
90X90X65



SCREW 6X180
(USE A 100 MM DRILL BIT EXTENSION)



TOOLS AND FIXINGS:

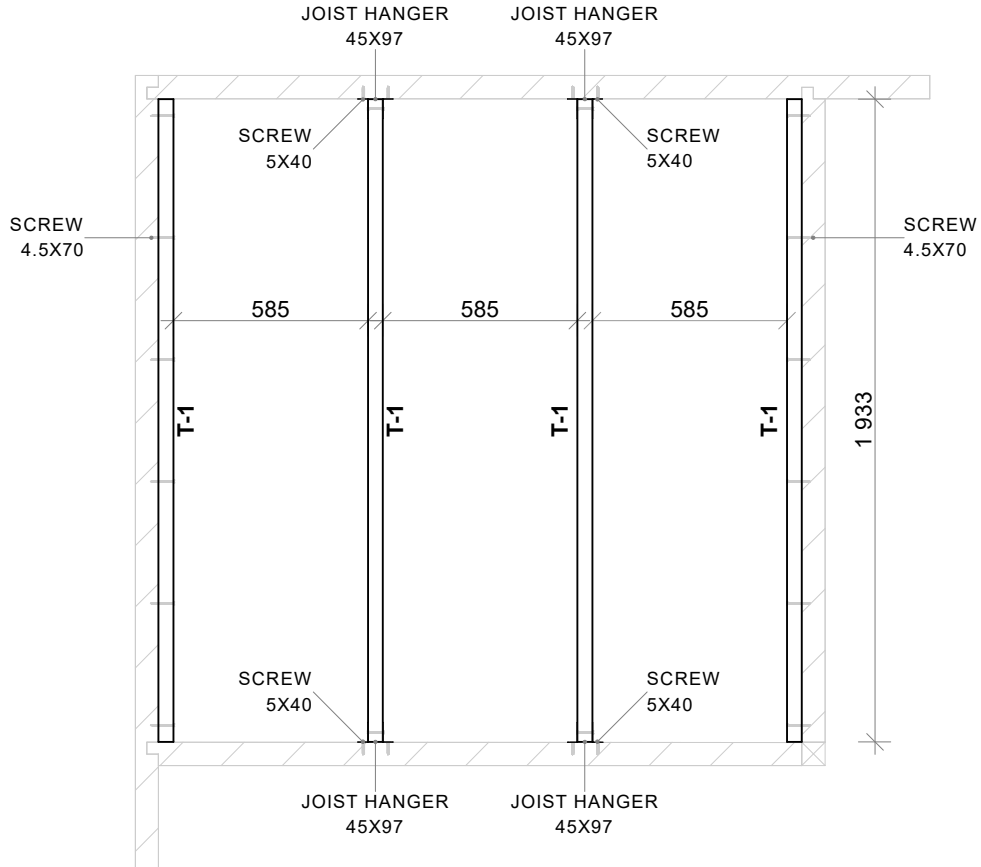


6x180 SCREW - 10 PCS

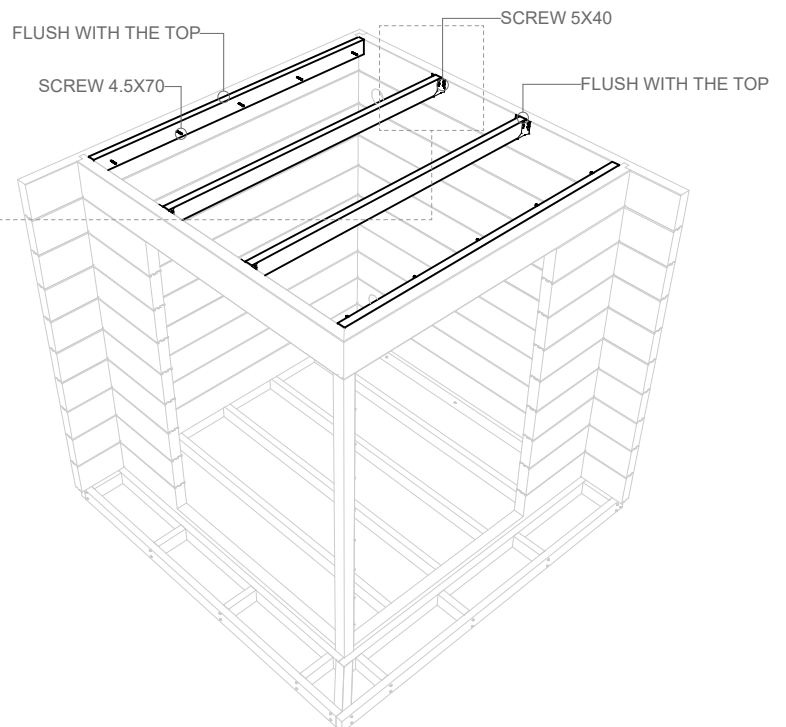
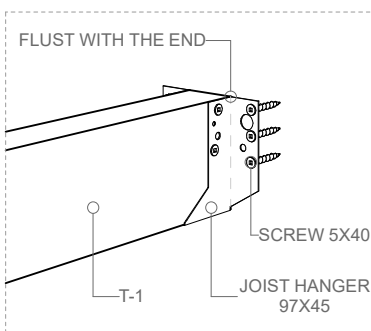
5x40 SCREW - 24 PCS

CEILING BEAMS: INSTALLATION DRAWING

- Fix two T-1 ceiling beams to the side walls, flush with the top, using 4.5x70 screws.
- Attach the joist hangers to two of the T-1 beams with 5x40 screws. Fix the beams to the front and back walls, flush with the top, using 5X40 screws.



CEILING BEAMS: 3D VIEW



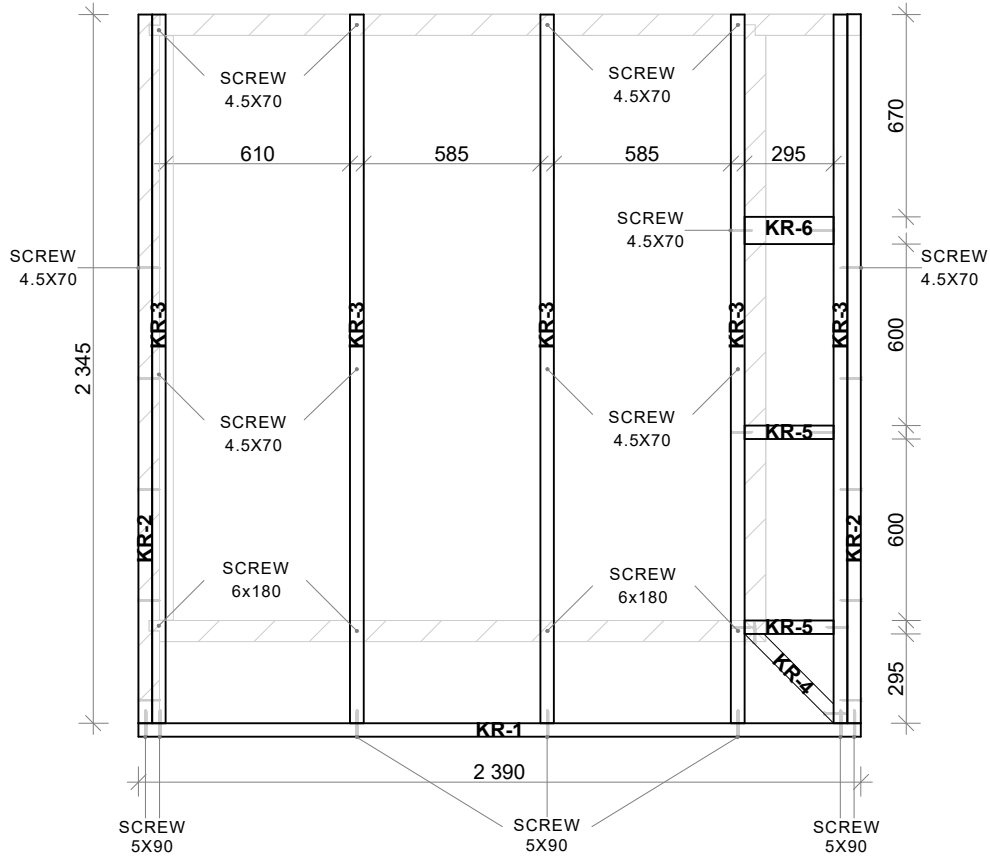
TOOLS AND FIXINGS:



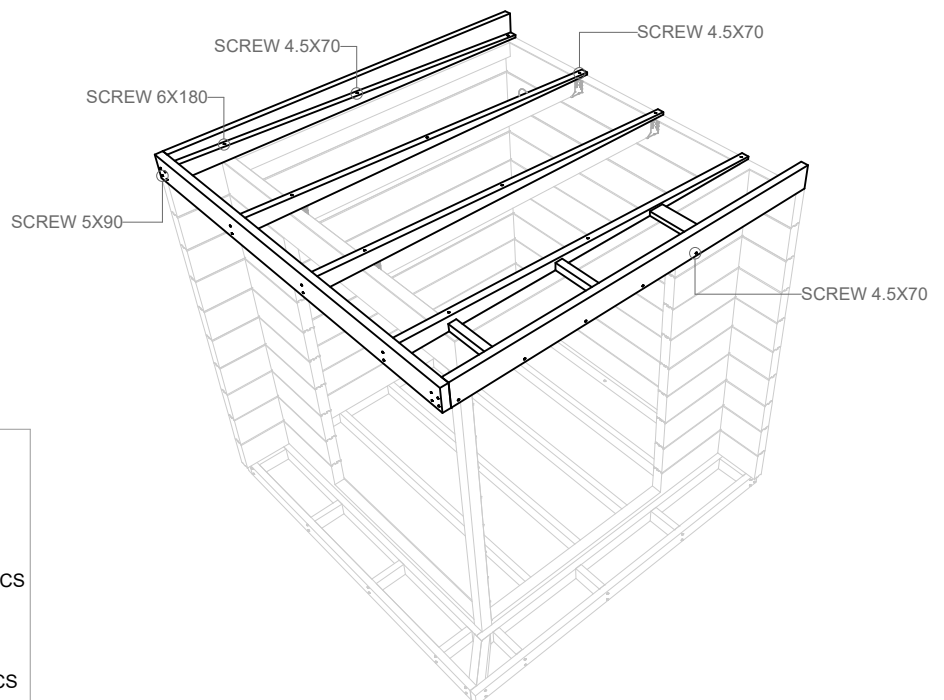
4.5X70 SCREW - 10 PCS 5X40 SCREW - 40 PCS

ROOF FRAME: INSTALLATION DRAWING

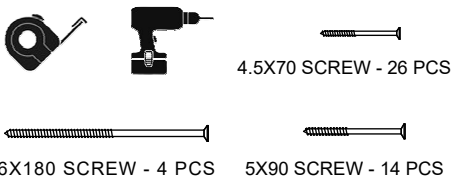
- Fix the KR-3 wedge shaped roof frame details according to the scheme with 6x180 and 4.5x70 screws.
- Install the KR-1 and KR-2 roof frame details according to the scheme using 5x90 and 4.5x70 screws.



ROOF FRAME: 3D VIEW

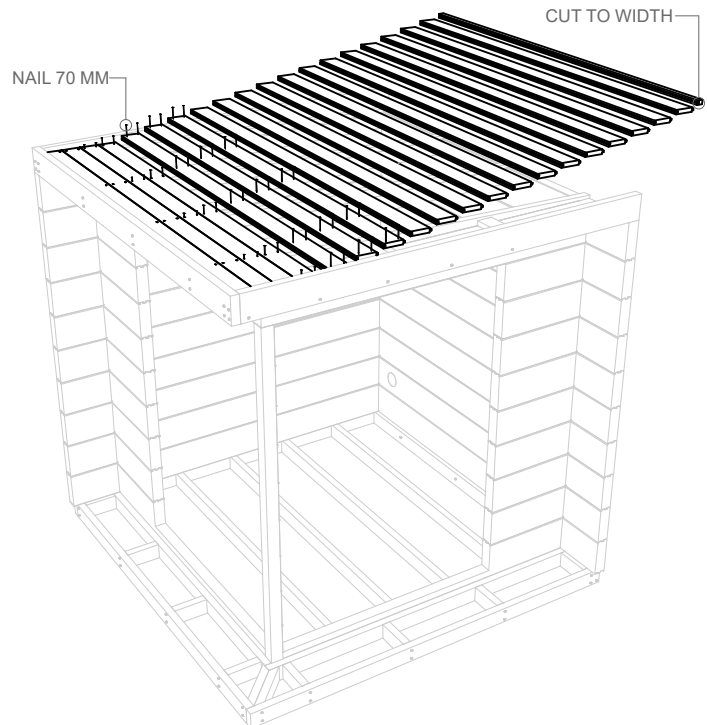
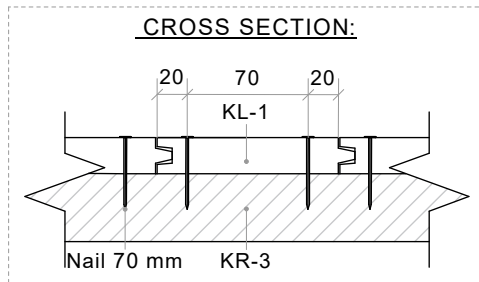


TOOLS AND FIXINGS:



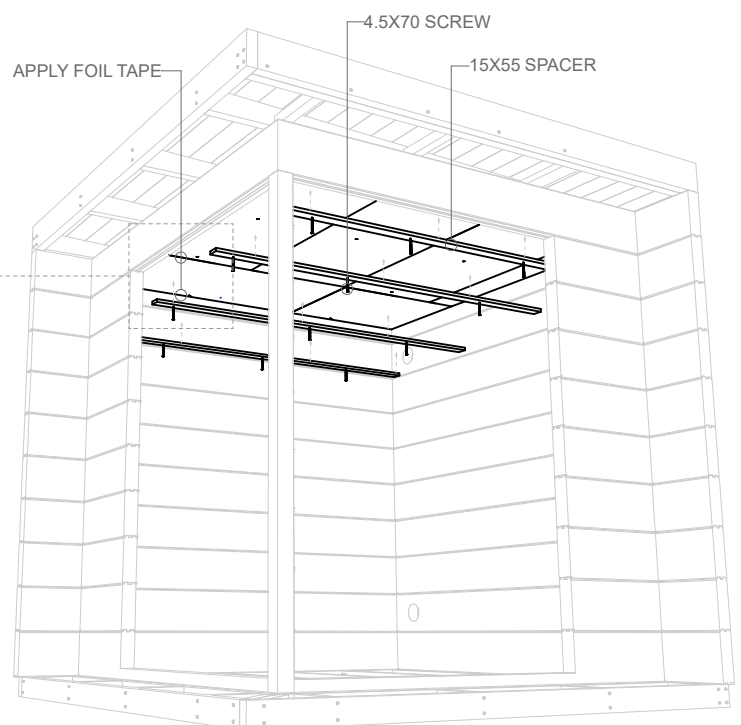
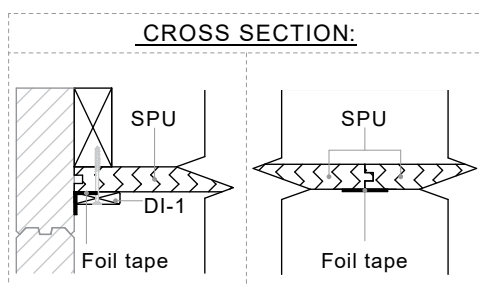
ROOF BOARDS:

- Fix the KL-1 roof boards with 70 mm nails to the roof frame, starting from the front (10 nails per roof board). Use a hammer or a nailgun. Cut the last roof board to width using a circular saw.



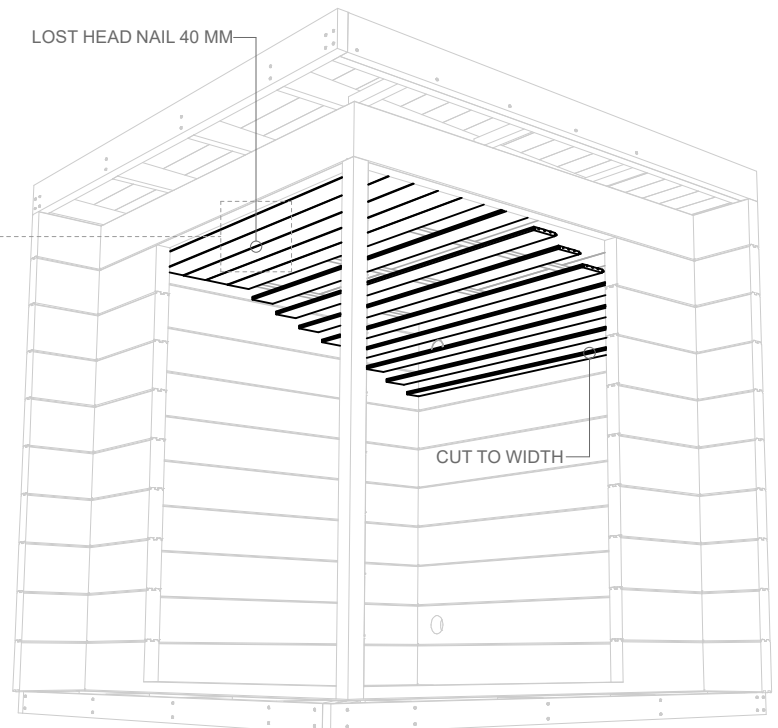
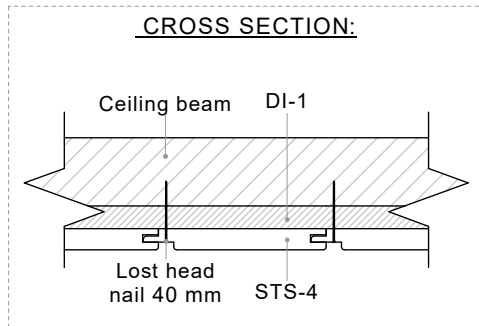
CEILING INSULATION::

- Cut the SPU insulation panels to size with a cutting knife. Fix the panels to the ceiling beams using a few 4.5x70 screws. Tape all edges and joints with foil tape to prevent heat loss.
- Place the DI-1 spacers on top of the insulation panels and fasten them to the ceiling beams with 4.5x70 screws.



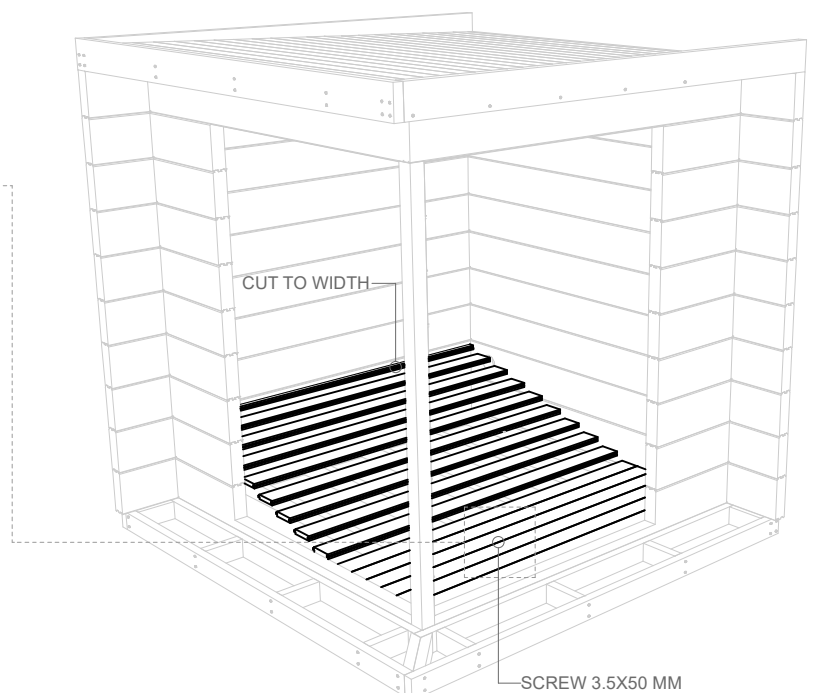
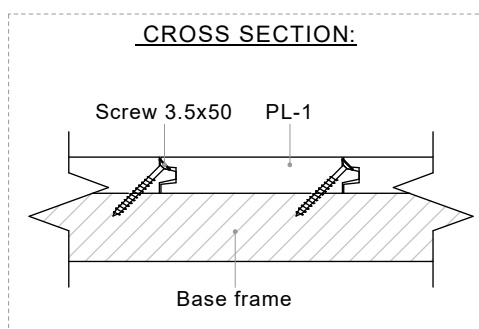
CEILING BOARDS:

- Install the STS-4 ceiling lining boards on top of the DI-1 spacers. Leave ~3 mm gap between the ceiling boards and walls on all sides. Use 40 mm lost-head nails (4 per every ceiling board) and a hammer or nail gun for fixing. Cut the last ceiling board to width using a circular saw.



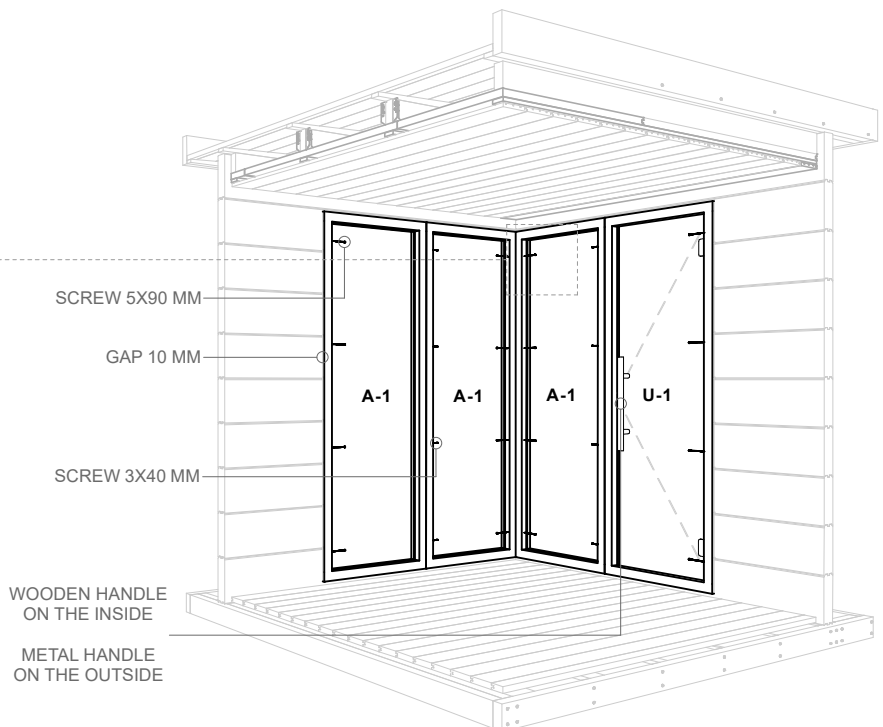
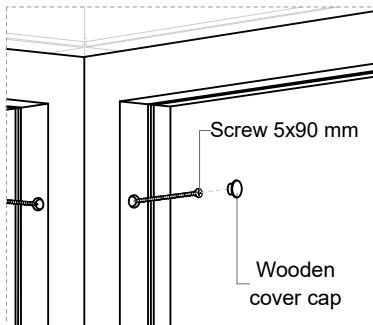
FLOOR BOARDS:

- Fix the PL-1 floor boards to the base frame with 3.5x50 screws, starting from the front. Leave ~3 mm gap between the floor boards and walls at all sides. Cut the last floor board to width using a circular saw.

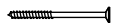


DOORS AND WINDOWS:

- Fasten the door and windows to the walls and P-1 corner post from inside the sauna, through the pre-drilled holes in the frames, using 5x90 screws. Connect the frames together with 3x40 screws. Cover the holes with wooden cover caps. Attach the handles to the glass door.



TOOLS AND FIXINGS:



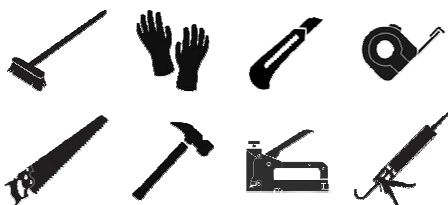
5X90 SCREW - 16 PCS

3X40 SCREW - 8 PCS

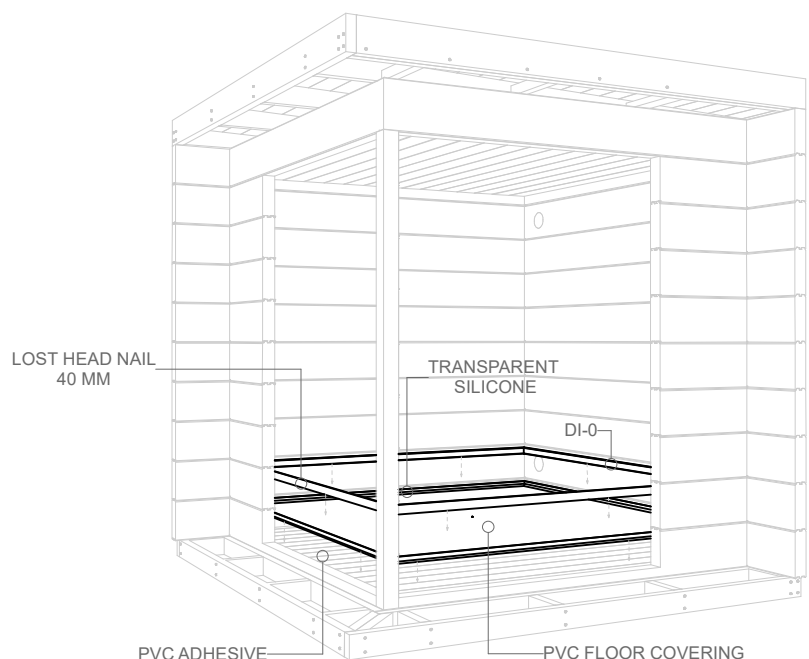
FLOOR COVERING:

- Clean the floor surface of debris and apply the PVC flooring adhesive to the floorboards according to the instructions provided with the product. Wear gloves for protection.
- Place the PVC floor covering on top of the glued surface and turn the edges 30 mm upwards. Cut off the excess material with a cutting knife, if necessary.
- Cut to length and install the DI-0 floor moldings with 40 mm lost head nails. Insulate the joints between the moldings and PVC floor covering with transparent silicone, to ensure watertightness.

TOOLS AND FIXINGS:

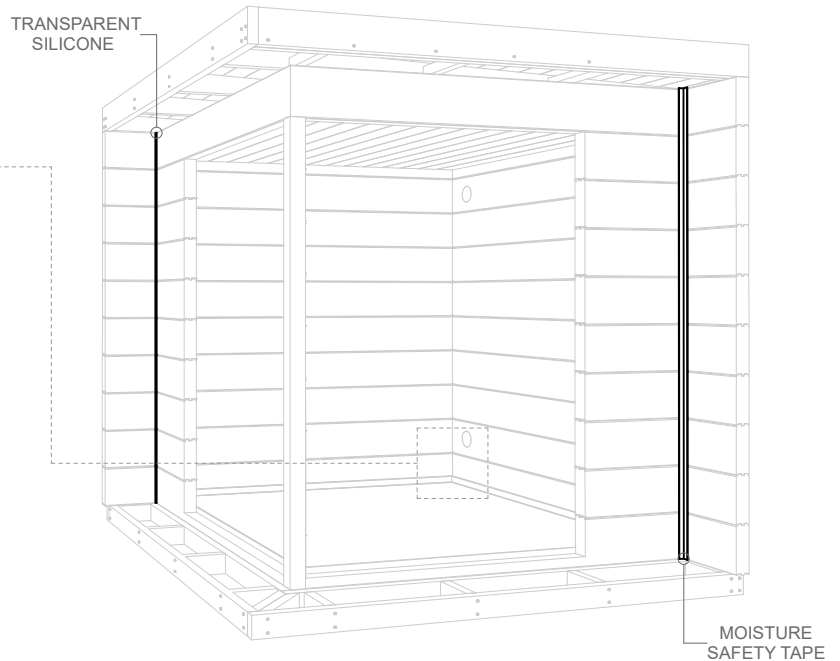
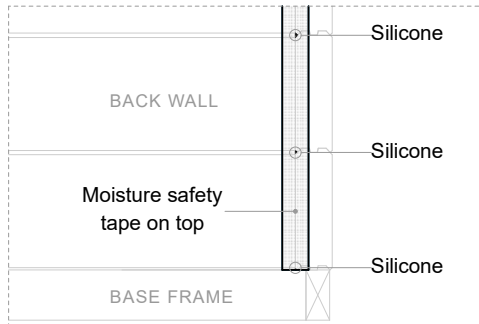


40 MM LOST HEAD NAIL - 40 PCS



MOISTURE PROOFING:

- First, seal all the outside corners of the sauna with transparent silicone to prevent moisture and rainwater from entering the sauna.
- For extra protection, tape all outside corners with moisture safety tape when the silicone has dried.



TOOLS AND FIXINGS:



VENTILATION:

- Attach the ventilation pipe and cover the ventilation openings with grids or valves, as shown. Use 3x40 screws for fixing.

I - EXHAUST OPENING

Install a ventilation grid outside and a wooden valve inside. The purpose of the exhaust opening is to dry the steam room after using the sauna. The ventilation valve should be closed while using the sauna. Open the valve after using the sauna to expel excess moisture through the opening. For faster drying, leave the steam room door ajar after a sauna session.

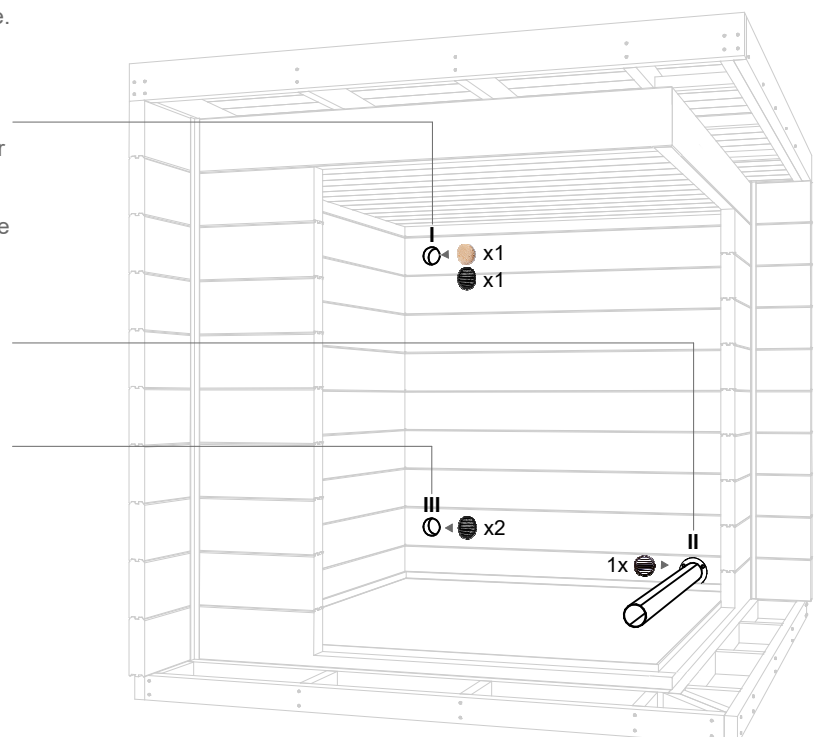
The ventilation valve can also be opened between sessions if there are many people in the steam room at the same time and excessive humidity or a lack of air occurs.

II - INLET

Install a ventilation pipe inside and ventilation grid outside. Fasten the pipe to the sauna bench frames later.

III - OUTLET

Install a metal ventilation grid inside and outside.



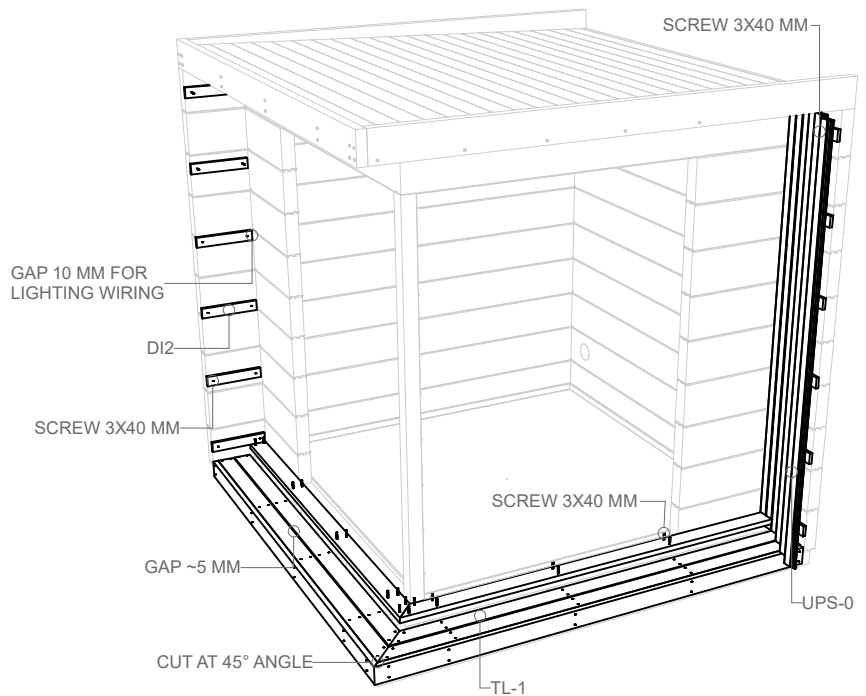
TOOLS AND FIXINGS:



3X40 SCREW - 24 PCS

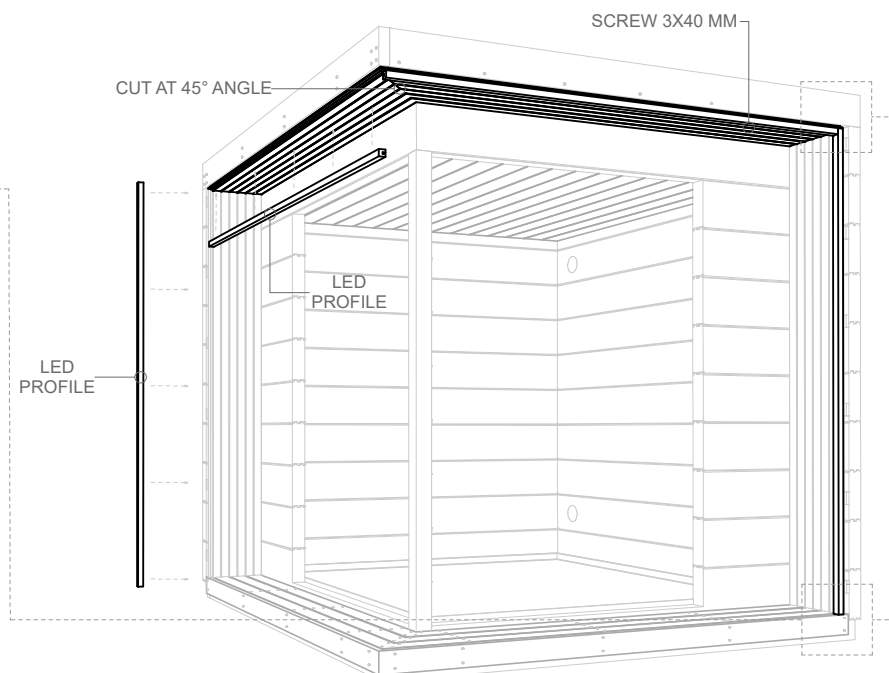
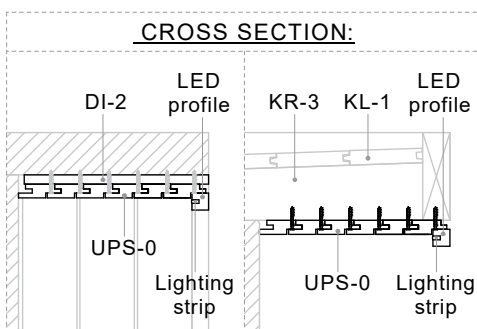
DECKING & LINING BOARDS:

- Cut to length and fasten the TL-1 decking boards to the base frame using 3x40 screws.
- Fasten the DI-2 spacers to the walls with 3x40 screws, leaving a 10 mm gap in the corner for lighting wiring.
- Run the wiring for lighting and attach the UPS-0 outer lining boards to the DI-2 spacers with 3x40 screws, starting from the corner.



EXTERIOR LED PROFILES:

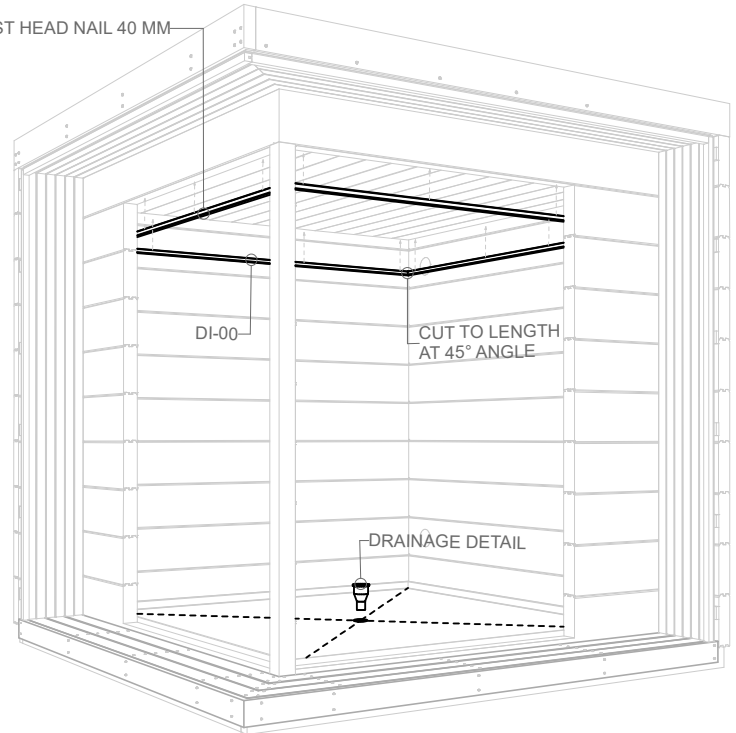
- Cut to length and attach the UPS-0 outer lining boards to the roof frame with 3x40 screws, starting from the walls.
- Install the LED lighting strips (if ordered additionally) inside the LED profiles and fasten them to the outer lining boards with grooves directed towards the sauna, like shown in scheme.



CEILING MOLDINGS & DRAINAGE:

- Cut to length and fasten DI-00 ceiling moldings with 40 mm lost head nails, using a hammer or a nailgun.
- Measure the diagonals of the floor surface and mark the center for the location of the drainage pipe. Cut a hole in the floor with a hole saw and install the drainage detail on top.

LOST HEAD NAIL 40 MM



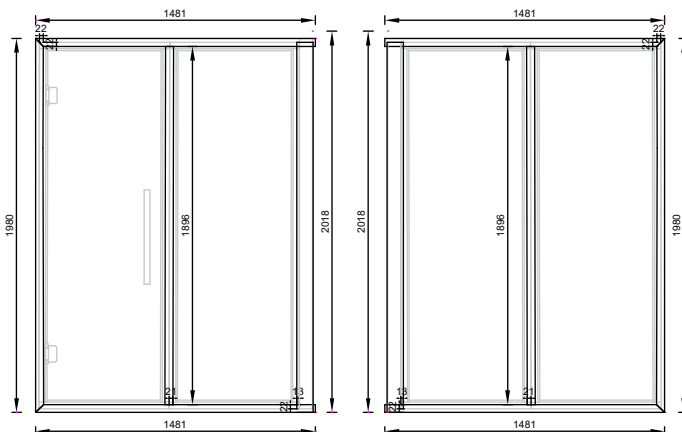
TOOLS AND FIXINGS:



40 MM LOST HEAD NAIL - 40 PCS

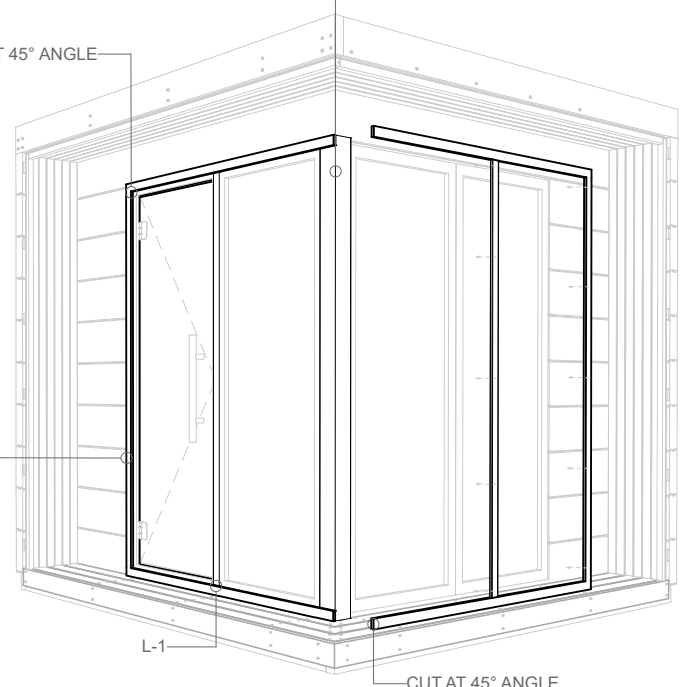
WINDOW MOLDINGS: OUTSIDE AND INSIDE

- Cut the 85x85 sheet metal corner cover to length using tin shears and fasten the cover to the P-1 corner post with mounting glue. Wear gloves for protection.
- Cut to length and install the L-1 moldings around the door and windows on the outside and the inside, using 3x40 screws.



85X85 SHEET METAL CORNER COVER

CUT AT 45° ANGLE



TOOLS AND FIXINGS:

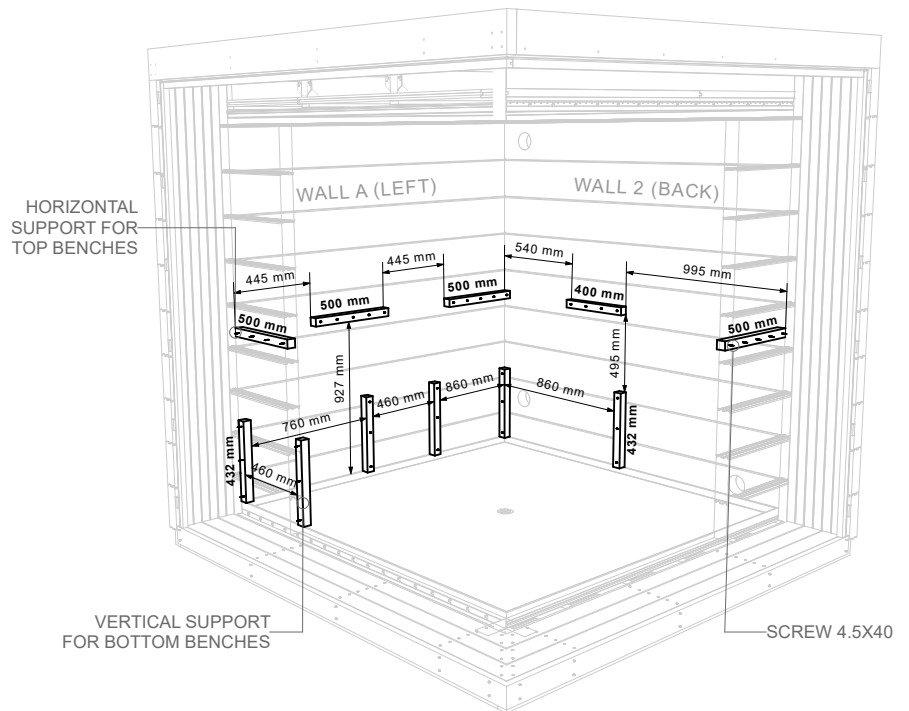
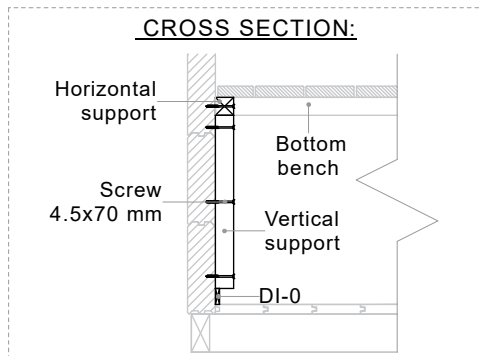


3X40 - 160 PCS

CUT AT 45° ANGLE

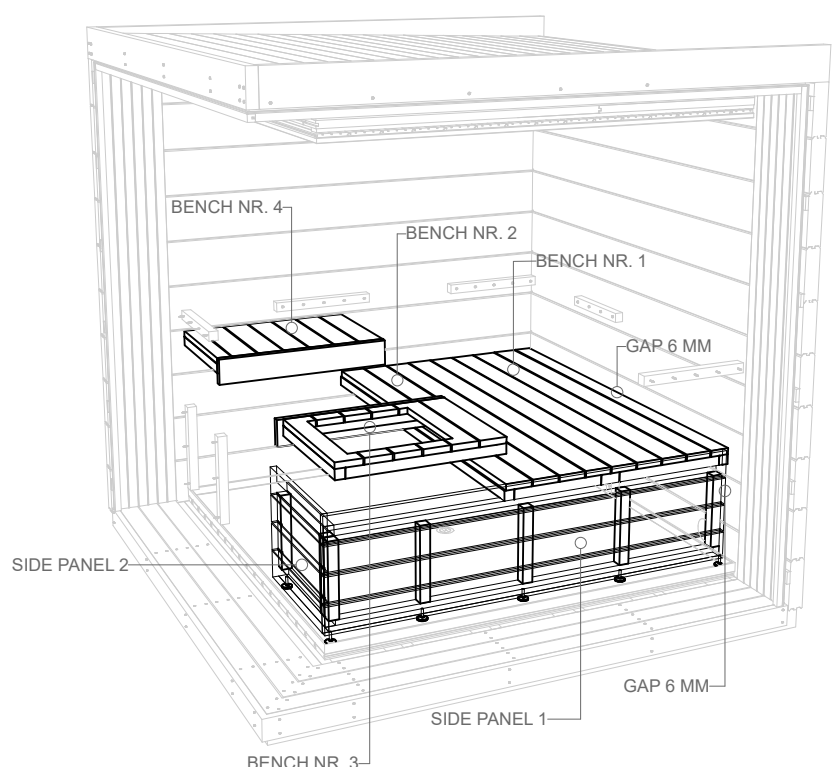
BENCH SUPPORTS:

- Fix the vertical supports for bottom sauna benches to the walls, above the floor moldings, as shown in the drawing. Use 4.5x70 screws for fastening.
- Measure and mark the positions of the horizontal supports for the top benches on the walls according to the drawing. Attach the supports to the walls with 4.5x70 screws.



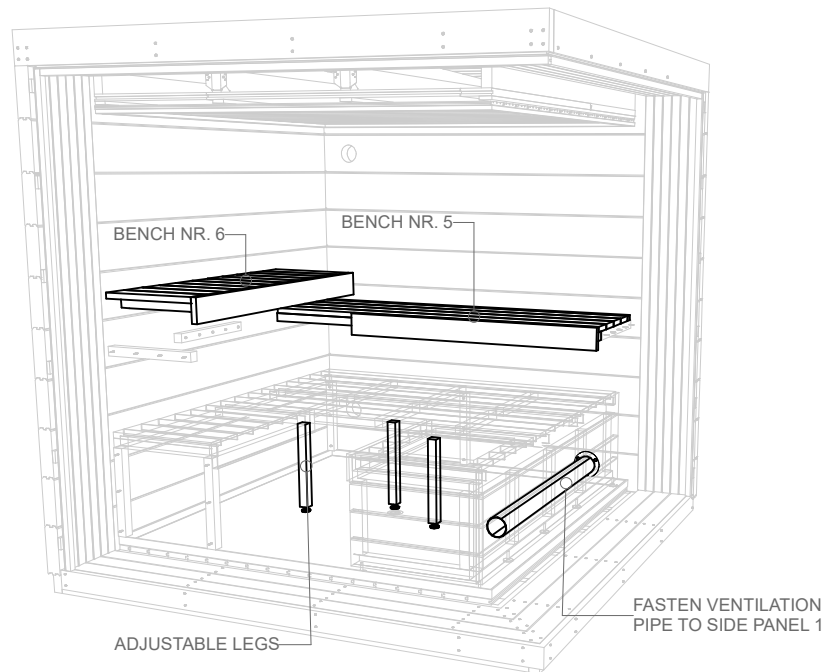
SIDE PANELS AND BOTTOM BENCHES:

- Place bottom bench side panels in their positions and connect them together. Place the bottom benches on top of the panels and supports, starting from the back. Fasten the benches to each other and to the supports with 4.5x70 screws.



ADJUSTABLE LEGS ANT TOP BENCHES

- Place the adjustable legs on the front edge of the bottom benches as shown in the drawing. Adjust the height and level the benches through the adjustable legs. Fasten the ventilation pipe to side frame 1, using the supplied fasteners.
- Place the top benches on top of the horizontal supports, starting from the back. Fasten the benches to each other and to the supports with 4.5x70 screws.



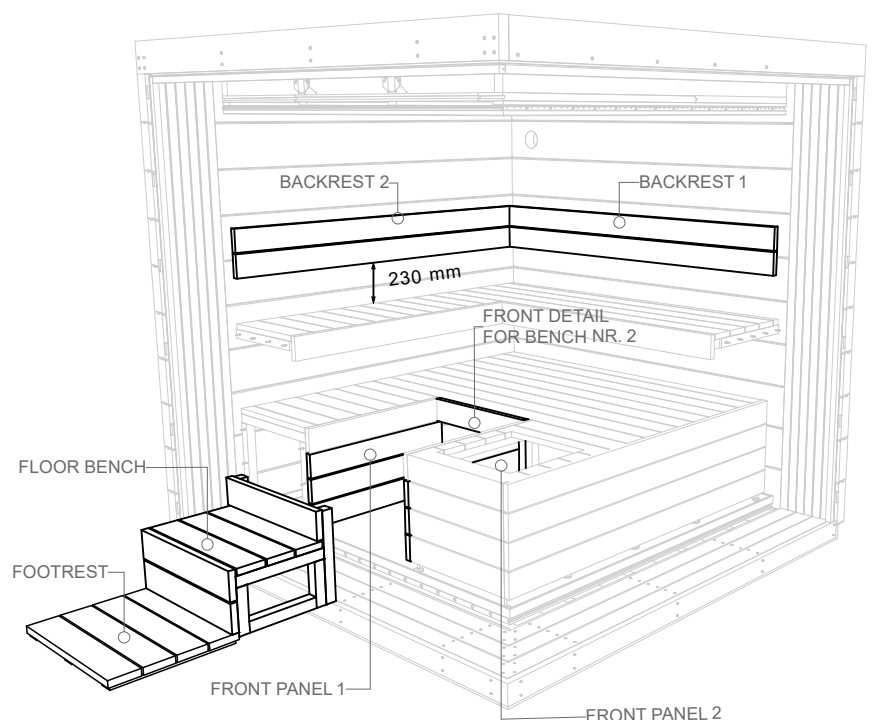
TOOLS AND FIXINGS:



4.5x70 SCREW - 30 PCS

FRONT PANELS AND BACKRESTS

- Install the front panels to the front side of bench nr. 3 and 4 and fasten them to the vertical supports with 4.5x70 screws. Install the front detail to the front side of bench nr. 2.
- Fasten the backrests to the walls approximately 230 mm from the top benches with 4.5x70 screws. Lastly, place the floor bench and footrest between the bottom sauna benches.



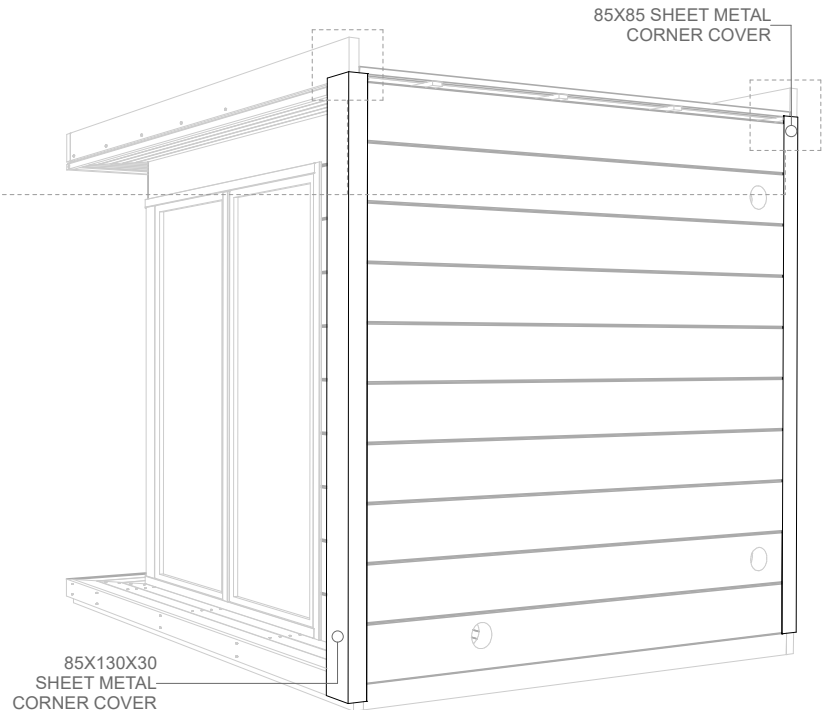
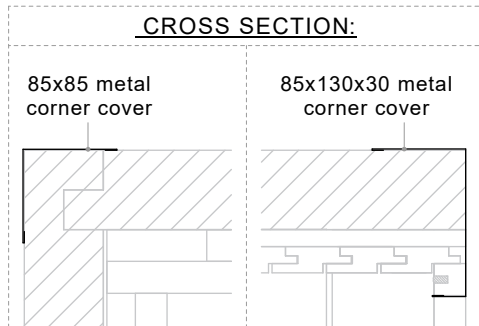
TOOLS AND FIXINGS:



4.5x70 SCREW - 30 PCS

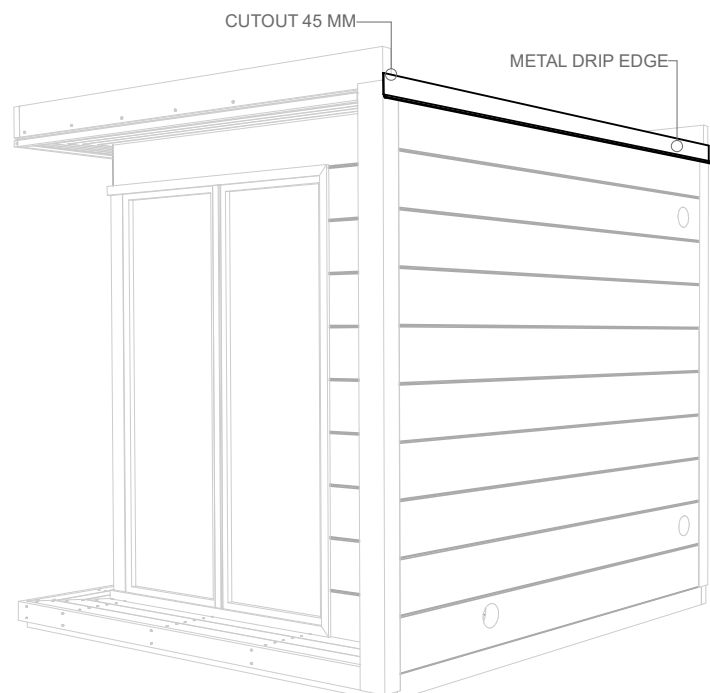
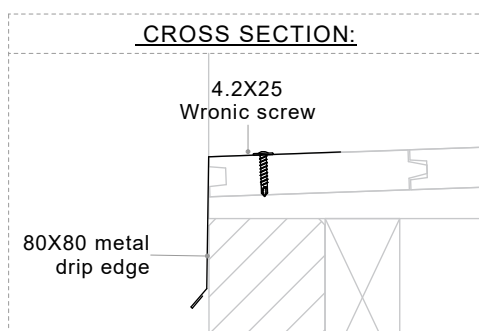
OUTSIDE CORNERS:

- Measure and cut to length the 85x85 sheet metal corner cover using tin shears. Install it on the back outside corner with mounting glue. Wear gloves for protection.
- Measure and cut to length the 85x130x30 sheet metal corner covers and install them on the side walls with mounting glue.



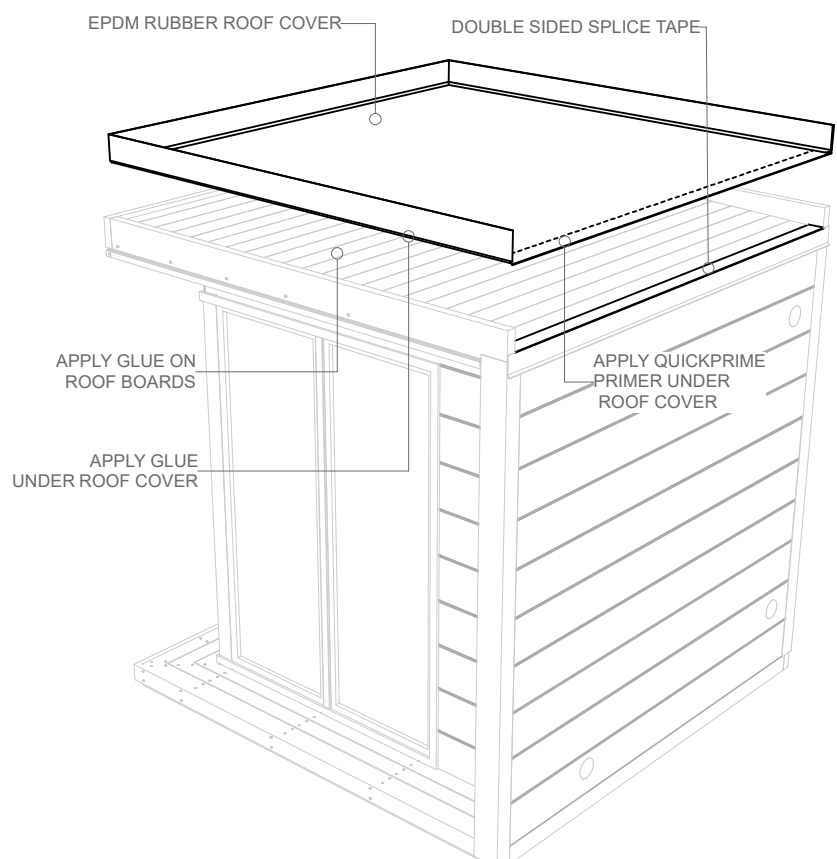
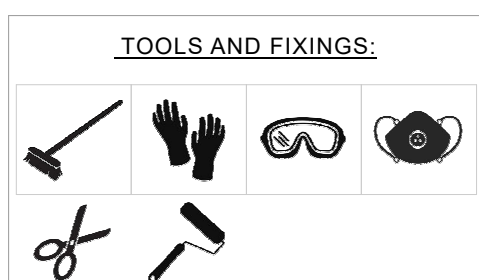
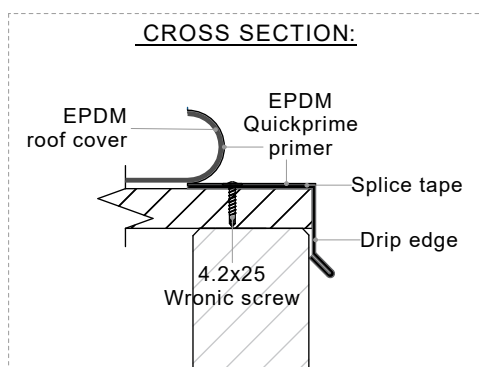
METAL DRIP EDGE:

- Measure the overall width of the sauna and cut the drip edge to length - 2 mm. Make 45 mm cutouts on the top side of the drip edge at both ends.
- Place the drip edge on top of the roof boards and fasten it with 4.2x25 black Wronic screws. The distance between the screws should be approximately 200 mm.



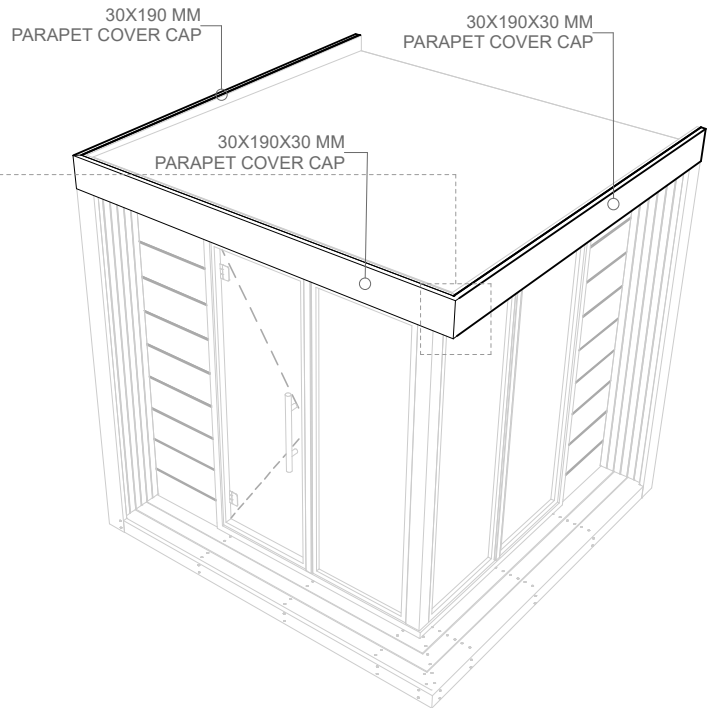
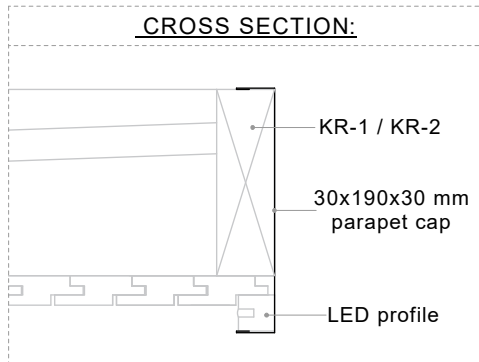
ROOF COVERING:

- Apply EPDM Quickprime primer on top of the drip edge metal and let it dry. Cut the double-sided splice tape to length, remove the cover from one side and tapi it on top of the primer coated drip edge. Do not remove the cover from the top side of the tape at this stage!
- Remove all debris and fasteners from the roof and clean the roof surface from dirt, dust, ice, snow, water, etc.
- Before and during installation, inspect the packaging and EPDM roll for damage. Set the rubber roof cover in place. Make sure that it stays about 5 mm behind the edge of the back wall metal roofing sheet and is also parallel to it. The roof cover must also extend equally on both sides of the sauna.
- Fold back half of the roof cover and start applying the glue to both the roof boards and the rubber. At the back wall, leave about 10 cm unapplied so that the rubber can be attached to the splice tape later on. Do not initially apply any glue to the side walls. The part of the rubber that goes up the side walls will be glued later. Apply glue in a well-ventilated area using gloves, safety goggles, and a respirator.
- **ATTENTION!** Wait until the glue is dry to the touch on both surfaces (approximately 15 minutes or longer) before folding the rubber back in place. Sufficient waiting time is necessary to prevent the rubber from bubbling after it has been set in place.
- Turn the glue coated rubber onto the coated roof boards and smooth it out with a broom or a brush. Prevent wrinkles and bubbles from forming. Repeat the same procedure with the other side of the roof cover.
- Remove the top cover from the double-sided splice tape and apply EPDM Quickprime primer on top of the the rubber. Wait until the primer is dry to the touch on both surfaces and glue the rubber to the double sided tape.
- Cut off the excess roof covering material from both sides and front using scissors.



SHEET METAL PARAPET COVER CAPS:

- Measure and cut to length the 30x190x30 mm parapet caps and install them to the roof frame above the front and right walls mounting glue.
- Measure and cut to length the 85x130x30 sheet metal corner covers and install them on the side walls with mounting glue.

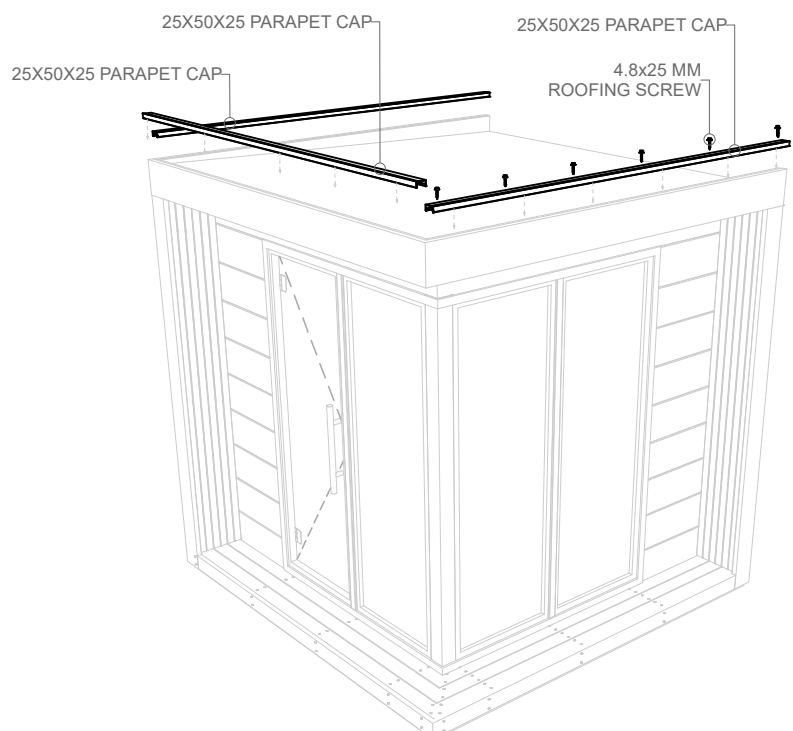
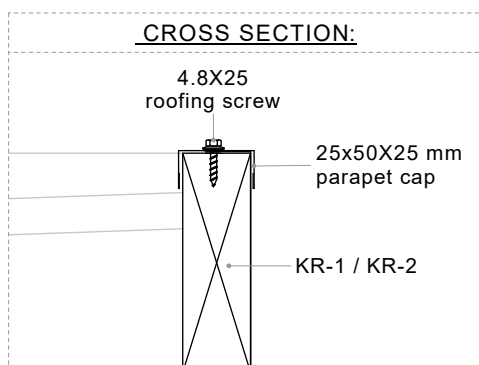


TOOLS AND FIXINGS:



SHEET METAL PARAPET COVER CAPS:

- Measure and cut to length the 25X50X25 mm parapet caps and install them on top of the roof frame at all sides. Fix the caps using 4.8x25 roofing screws. The distance between the screws should be approximately 300 mm.



TOOLS AND FIXINGS:



4.8x25 ROOFING SCREW - 20 PCS

CONGRATULATIONS!

You have successfully completed the installation and can soon start enjoying your new sauna.

Before the first use, please read the maintenance and warranty guide and perform the necessary actions.

MAINTENANCE

- The interior surfaces of the sauna, the window frames of the steam and anteroom, and the frames of interior doors must be treated with a special substance before initial use, to protect the wood from humidity and dirt and extend the service life of the sauna.
- Before initial use of the sauna and once a year after that, the door, doorframe, threshold, and window frames, as well as the floors of the anteroom should be treated with Teknos Helo Aqua 40 lacquer.
- The benches and backrests must be treated with a protective oil, to extend their service life. This procedure should be repeated once or twice a year in the future.
- Suitable products for this purpose: TEKNOS Satu Saunasuojaor, Tikkurila Supi Saunasuoja May
- The exterior surfaces of the sauna need to be given the first protective coating right after installation. The second coating should be applied approximately two months after installing the sauna, to maintain its appearance. Use Remmers HK-Lasur for this purpose.
- The seller is not liable for any damage caused to the sauna due to insufficient maintenance or no maintenance at all.

WARRANTY

- The products have a 24-month warranty period covering material and production defects, taking effect from the delivery of the sauna to the client.
- The warranty is valid, if the user has reviewed the user manuals and abides by it.
- The warranty does not cover characteristics of wood, such as discoloration or cracks caused by alternating or excess humidity, etc.
- The warranty does not cover normal wear and tear of the product caused by its use. Any damage caused by incorrect installation or use is not compensated.
- The warranty does not cover damage caused by thunder or other weather phenomena.
- The warranty does not cover damage caused by incorrect installation by the client.
- The warranty expires when attempts are made to independently change or fix the product or if it is not used for its intended purpose.
- The warranty is void if the product is stored in an incorrect position or in the wrong conditions.
- The warranty is valid if the buyer informs the seller of the defect within a reasonable time (7 days).